

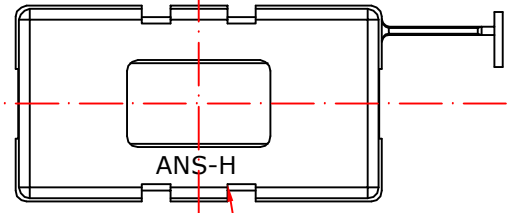
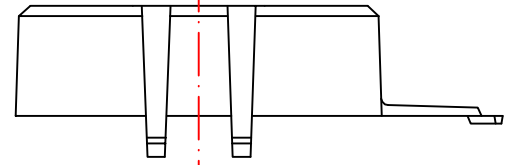
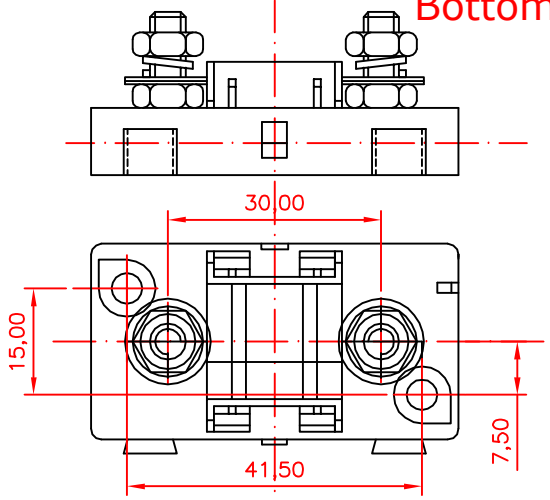
1 2 3 4 5 6 7 8

F
E
D
C
B
A

F
E
D
C
B
A

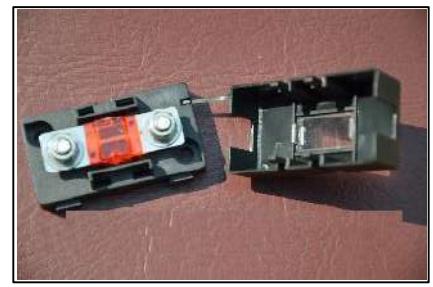
Top

Bottom



字体: Verdana 字高: 2.5MM

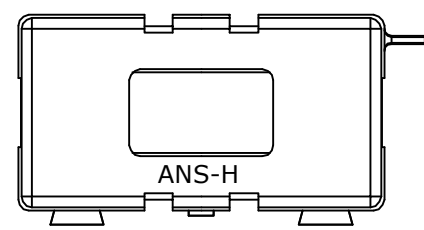
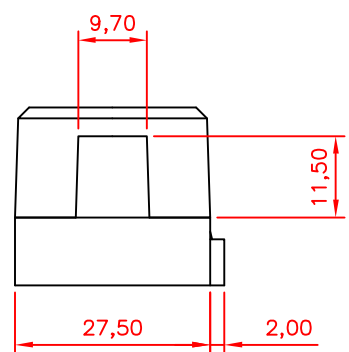
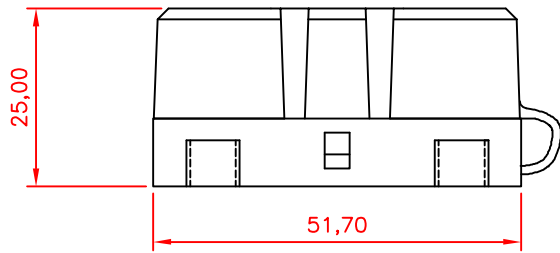
DRAWING REVISIONS				
REV	S/N	DESCRIPTION	APPROVED	DATE
A	20070823-1	ORIGINAL RELEASE		



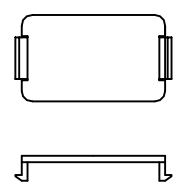
NOTES: UNLESS OTHERWISE SPECIFIED.

- material:
A, Contact: Steel 304
B, body: PA 94-V0;
C, cover: PC 94-V0;
- removed burrs and sharp edge.
- For ANS fuse.
- Suitable rated current: 30-200A.
- RoHS COMPLIANT.

Assmebly



window cover



DONGGUAN TIANRUI ELECTRONICS CO.,LTD

RoHS COMPLIANT		Fuseholder for ANS			
UNLESS OTHERWISE STATED					
WALL THICKNESS		MM			
LINEAR	.XX	± 0.15	MM		
	.XXX	± 0.05	MM		
ANGULAR		± 0.5 DEG			
DRAFT ANGLE/SIDE		0.5 ° MAX			
BURR & FLASH		0.10 MAX			
BREAK CORNERS		0.20 R.MAX			
PARTING LINE MISMATCH		0.05 MAX			
DSGN	Tommy Qiu	07-12-08	SCALE	free	
DFTS	Tommy Qiu	07-12-08	SHEET	1 OF 1	
CHKD			PART NO.		REV
APPD			ANS-H		A

1 2 3 4 5 6 7 8